

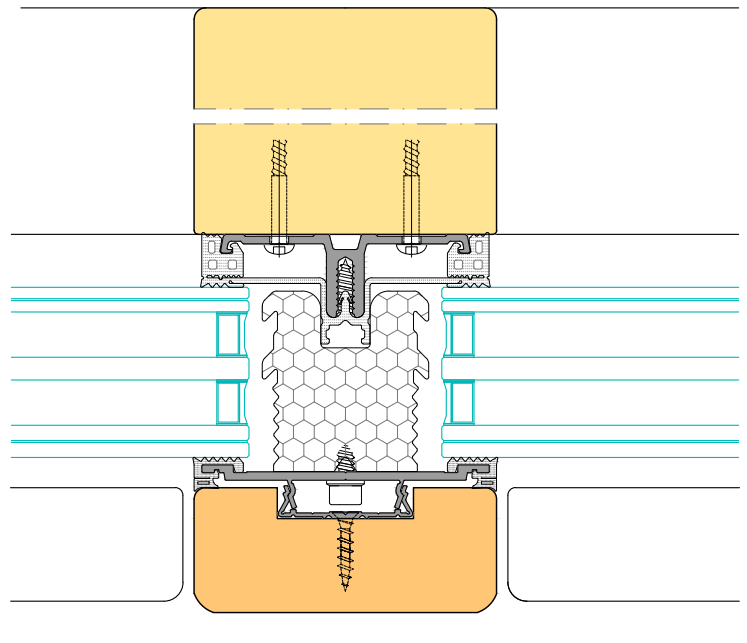
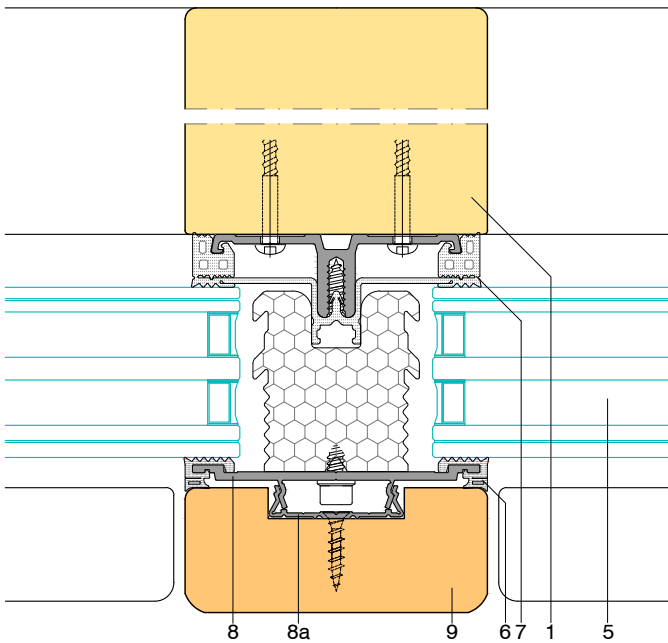
Outside view

LEGENDA

- WOOD**
- 1 frame\* 80 x 190
  - 2 shutter\* -
  - 3 screw -
  - 4 cover profile 80 x 34
  - 4a band
- GLASS**
- 5 glass low e. 44.1be+12arg+6+12arg+ 33.1be
  - 5a glass spacers
- GASKETS**
- 6 water/wind resistance in TPV/TPE
  - 7 thermoacoustic resistance in TPV/TPE
- ALUMINUM**
- 8 pressure profile
  - 8a wood cover support profile

measures MM

\* tolleranze UNI EN 14351 (Spessore ±0.3; Larghezza ±1)



CONFORMITY IN ACCORDANCE  
Test report IFT 108 28886

Wind permeability (UNI EN 1026, UNI EN 12207)  
Water resistance (UNI EN 1027, UNI EN 12208)  
Wind resistance (UNI EN 12211, UNI EN 12210)

class AE Thermal trasmittance  $U_{cw}$  0.8 W/(mq\*K)  
RE1200 Light trasmission 68 %  
1500 Pa

