

Outside view

LEGENDA

WOOD

- 1 frame* 50 x 190
- 2 shutter* -
- 3 screw -
- 4 cover profile 50 x 34
- 4a band

GLASS

- 5 glass low e. 44.1be+12arg+6+12arg+ 33.1be
- 5a glass spacers

GASKETS

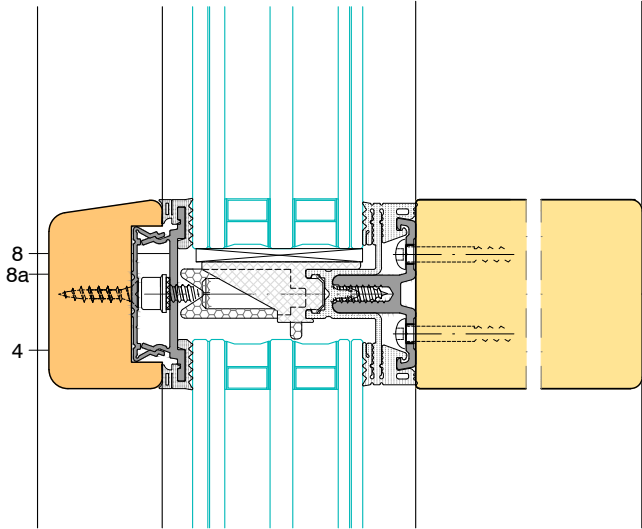
- 6 water/wind resistance in TPV/TPE
- 7 thermoacoustic resistance in TPV/TPE

ALUMINUM

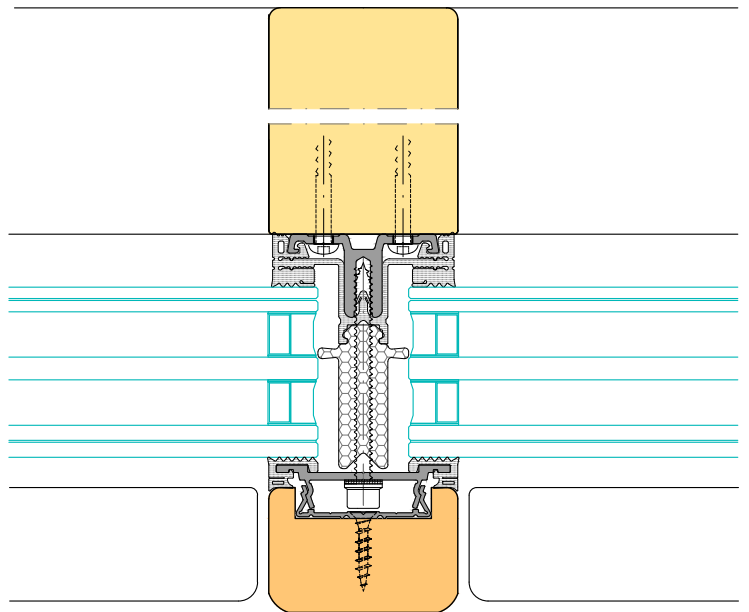
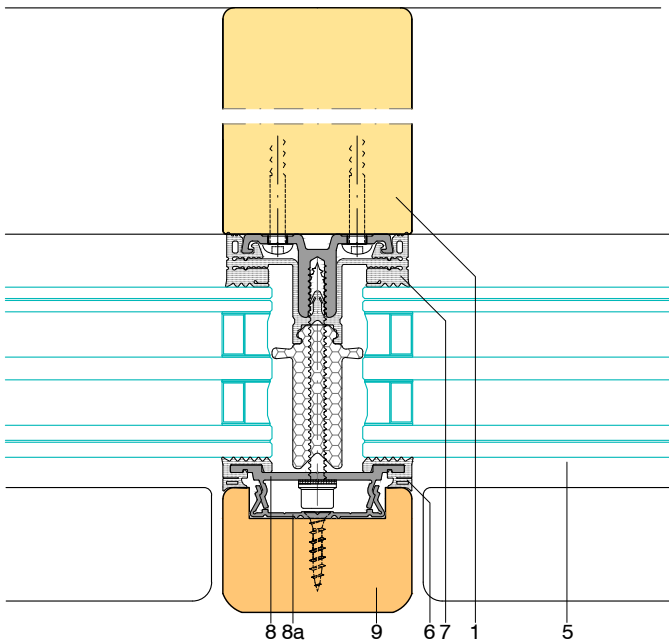
- 8 pressure profile
- 8a wood cover support profile

measures MM

* tolleranze UNI EN 14351 (Spessore ±0.3; Larghezza ±1)



B-B' scale 1:2



CONFORMITY IN ACCORDANCE
Test report IFT 108 28886

Wind permeability (UNI EN 1026, UNI EN 12207)
Water resistance (UNI EN 1027, UNI EN 12208)
Wind resistance (UNI EN 12211, UNI EN 12210)

class AE Thermal trasmittance U_{cw} 0.8 W/(mq*K)
RE1200 Light trasmission 68 %
1500 Pa

